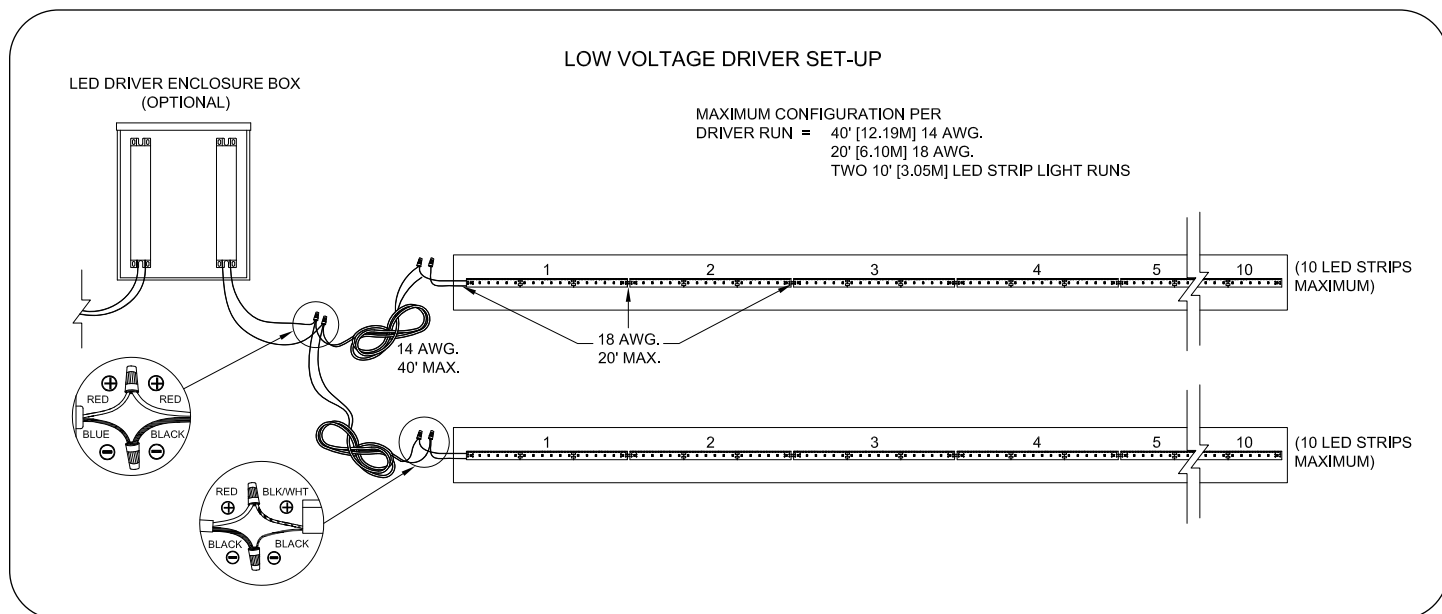


LOW VOLTAGE LED DRIVER SET-UP



- 1 Use supplied CRL low voltage drivers only.
- 2 Have certified electrician install the low voltage drivers and hook up primary power.
- 3 Cut the 14 AWG to length, strip ends, and connect to secondary power using exterior-grade, silicone-filled wire nuts.
- 4 To connect to the CRL LED Strip Lights, join 18 AWG jumper wire to 14 AWG LED lead wire using the silicone-based wire nuts.
- 5 Strip 18 AWG jumper wire and insert in female connectors on LED strip lights.



WARNING / CAUTION

- Read these instructions carefully prior to installation.
- All wiring of the low voltage driver shall be done in accordance with the National Electric Code (NEC) and local codes.
- **Risk of electrical shock.** Disconnect power before servicing or installing product.
- **Risk of injury.** Gloves, safety glasses and/or other safety devices should be worn during the installation of this product.
- Failure to comply with installation instructions may void the product warranty.
- **Do not touch** LED lens. Only handle strip lights by holding LED strip light edge.
- **Do not exceed maximum lengths** for LED strip lights, LED drivers, lead or jumper wires as it may void warranty.
- This product is a plastic product. The frosted lens and housing may be cleaned with mild soaps (such as dishwashing liquids) mixed with water. **Do not use** products that contain solvents (other than water), acids, alkalis, and/or strong oxidizing agents. **Do not use** high pressure or water jets on this product as it may void warranty.

PRODUCT MAX CONFIGURATION

- **20 feet (6.10m)** Max. LED product length per LED driver
Two 10 foot (3.05m) runs
- **40 feet (12.19m)** Max. total length 14 AWG lead wire in any given run
- **20 feet (6.10m)** Max. total length 18 AWG jumper wire in any given run

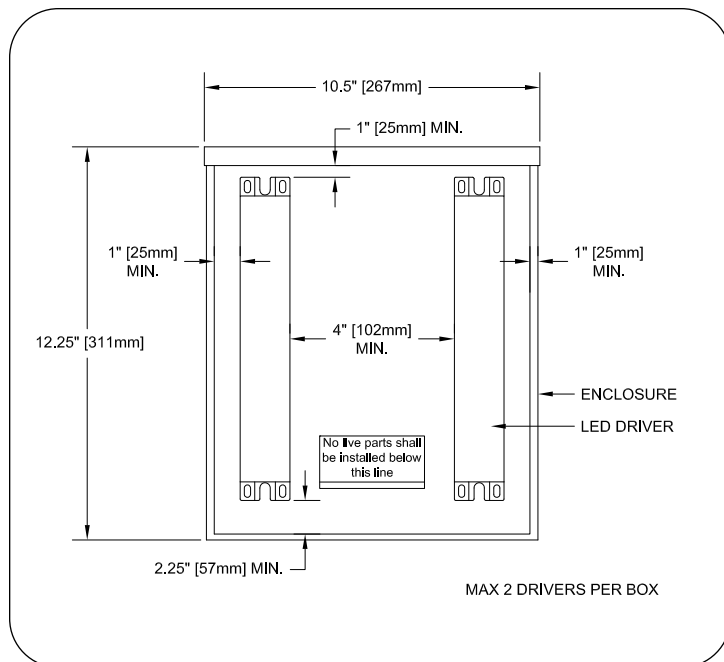
For complete CRL Strip Light Installation, please refer to the "CRL WALL MOUNT AND POST MOUNT LIGHTED HANDRAIL SYSTEM INSTALLATION GUIDE" included with the CRL LED Strip Lights.

CRL LED LOW VOLTAGE DRIVER

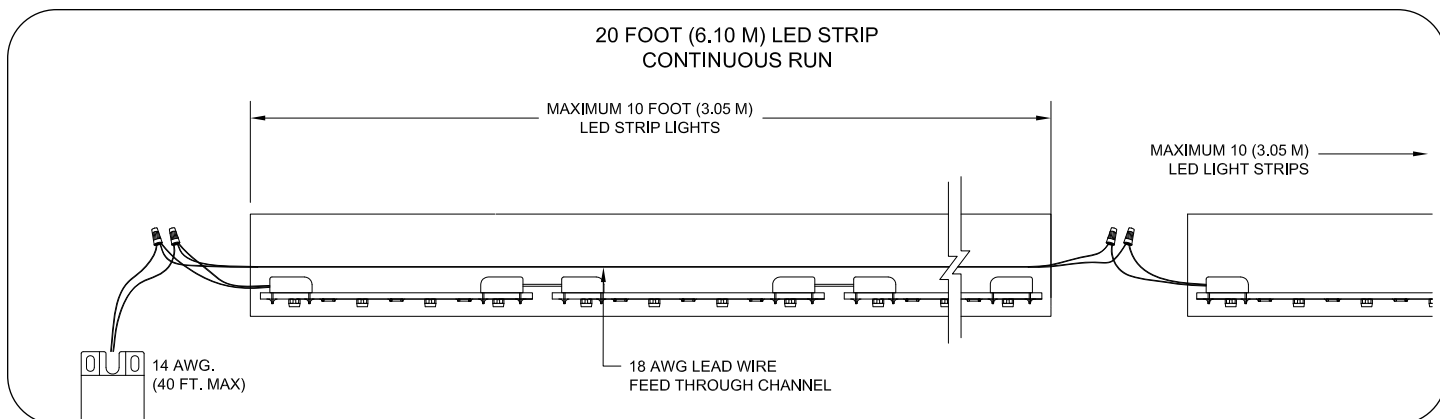
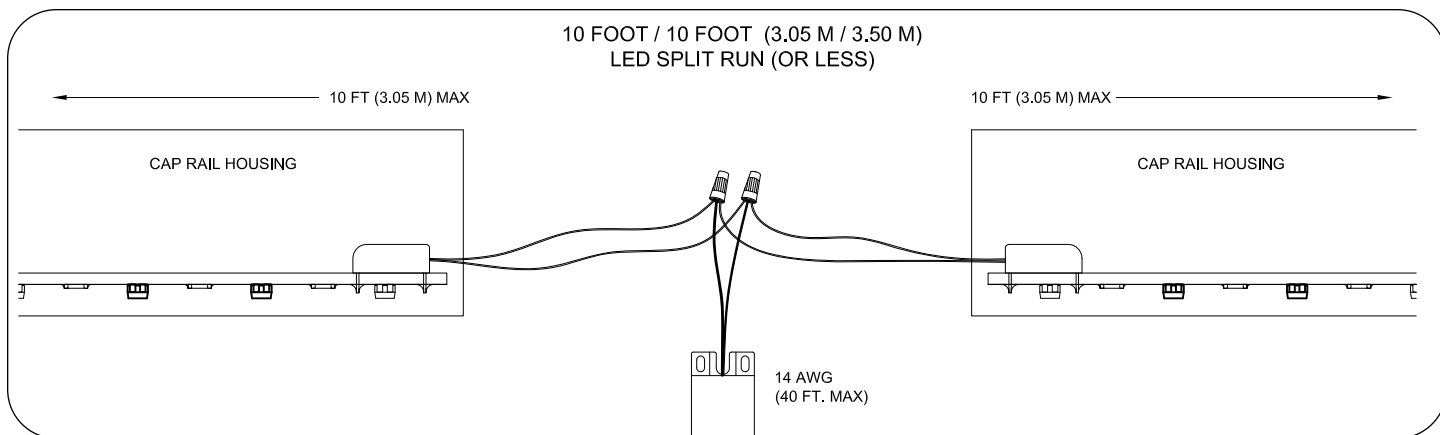
USING LED DRIVER ENCLOSURE BOX

CRL low voltage drivers may be mounted in an electrical box. CRL supplies an exterior rated LED driver enclosure box that fits up to two CRL low voltage LED drivers. To comply with NEMA 3R or UL-Outdoor Rating, follow the instructions provided.

- UL48 requires a Temperature Test performed to any electrical device installed inside an enclosure
- The UL 48 Temperature Test can be waived if electrical devices are:
 - Installed (inside enclosure)
 - Installed with 1" (25 mm) separation (end-to-end)
 - Installed with 4" (102mm) separation (side-to-side)
 - Enclosures must be mounted 12" (305mm) above roof, parapet or horizontal surface
 - A raised place (inside enclosure) for mounting drivers is always recommended. Drivers can also be mounted against enclosure wall as long as no holes are made or left which will allow water inside.



EXAMPLE WIRING OPTIONS



For questions regarding this product or to order additional components, please contact C. R. Laurence at www.crlaurence.com or at 1-800-421-6144.